

Jig Saw

| | |
|---------------------------|--|
| Description | Jig Saw |
| Size / Horse power | 500 – 3,100 SPM |
| Power source | 120 volt through power cord |
| Uses | Cutting wood, metal, plastics, and foam of various sizes at various angles |

Safety Precautions

| |
|--|
| Hazards |
| Amputation/Abrasions |
| Electrical shock |
| Entanglement of hair, jewelry, or clothing |
| Flying debris (potential eye damage) |
| |
| Training |
| Shop Safety Fundamentals |
| Site Specific Training |
| |
| Protective Equipment |
| Safety Glasses |
| Hearing protection |
| Avoid loose fitting clothing |
| Tie back long hair |



Operation

Startup

1. Put on PPE listed above
2. Inspect the tool for damage or obstructions to operation
3. Ensure work area is clean and free of obstacles
4. Make necessary adjustments for safe operation
5. Turn "ON" the saw by squeezing the trigger switch
6. Slowly feed blade into material, avoid putting excessive force on the blade
7. Keep hands clear of saw blade

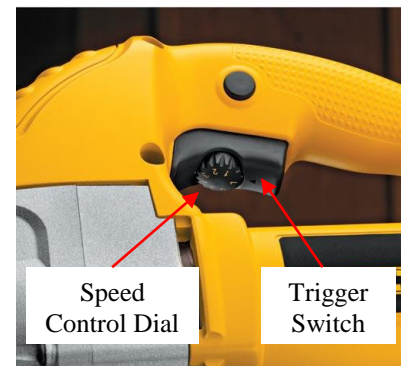
Note: For continuous operation, squeeze the trigger switch and then depress the lock button. Once the lock button is depressed, release the trigger switch. To disengage from continuous operation, squeeze the trigger and the lock will disengage.

Shutdown

1. Turn "OFF" the saw by releasing the trigger switch
2. Allow the blade to come to a complete stop on its own
3. Remove saw from workpiece

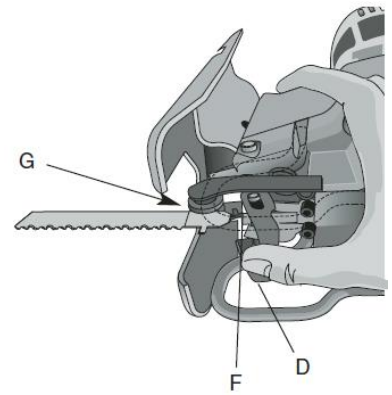
Speed Control

1. Speed can be controlled in two ways: speed control dial and the trigger.
2. Rotate the speed control dial to increase or decrease the maximum speed or strokes-per-minute (SPM) at which the blade will cut. Speed range is 500 SPM on speed setting 1 to 3,100 SPM on speed setting 6.
3. As the trigger switch is pressed in, the strokes-per-minute continue to increase, but do not exceed the setting that the speed control dial is set at. As the trigger is released, the blade strokes-per-minute reduce.



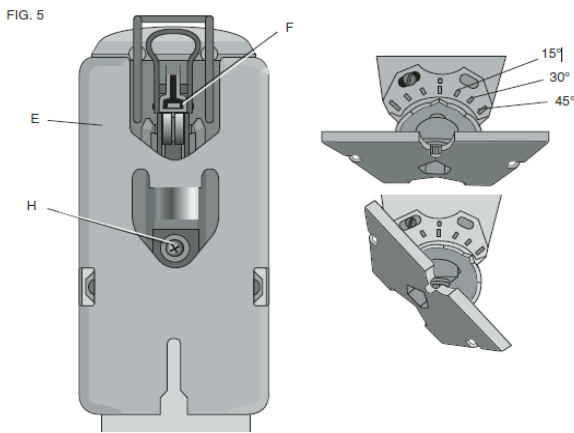
Changing Blade

1. **Disconnect tool from power supply**
2. To remove a blade, lift the keyless blade lever (D), with a slight shake the blade will drop out
3. To install a blade, lift the keyless blade lever (D)
4. Insert the blade into the clamp mechanism (F) while guiding the back of the blade into the groove of the guide rollers (G)
5. The shank should be completely inside the clamp mechanism
6. Release the keyless blade lever



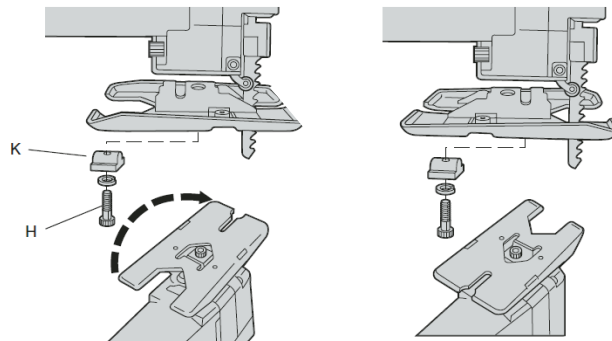
Bevel Cutting Adjustment

1. Bevel cuts may be made at any angle between 0° and 45° in both directions
2. Adjust the shoe (E) by loosening screw (H) on the bottom of the saw
3. Rotate the shoe to the desired angle
4. Tighten the screw firmly before using the saw



Reversing Shoe Position

1. **Disconnect tool from power supply**
2. Remove screw (H) from the bottom of the saw
3. Remove the shoe from the jig saw; be careful to note the position of the clamp (K). The clamp must be re-installed in the same way or the shoe will not fit properly
4. Rotate the shoe 180° and re-install noting carefully that, when the slot is forward, the screw (H) goes through the hole in the shoe and when the wide opening is forward, the screw passes through the slot in the shoe



Maintenance

| | |
|--------------------|---|
| Storage | |
| Care | Clean off saw after you are done using. Always use a sharp blade. |
| Accessories | Hex Wrench |